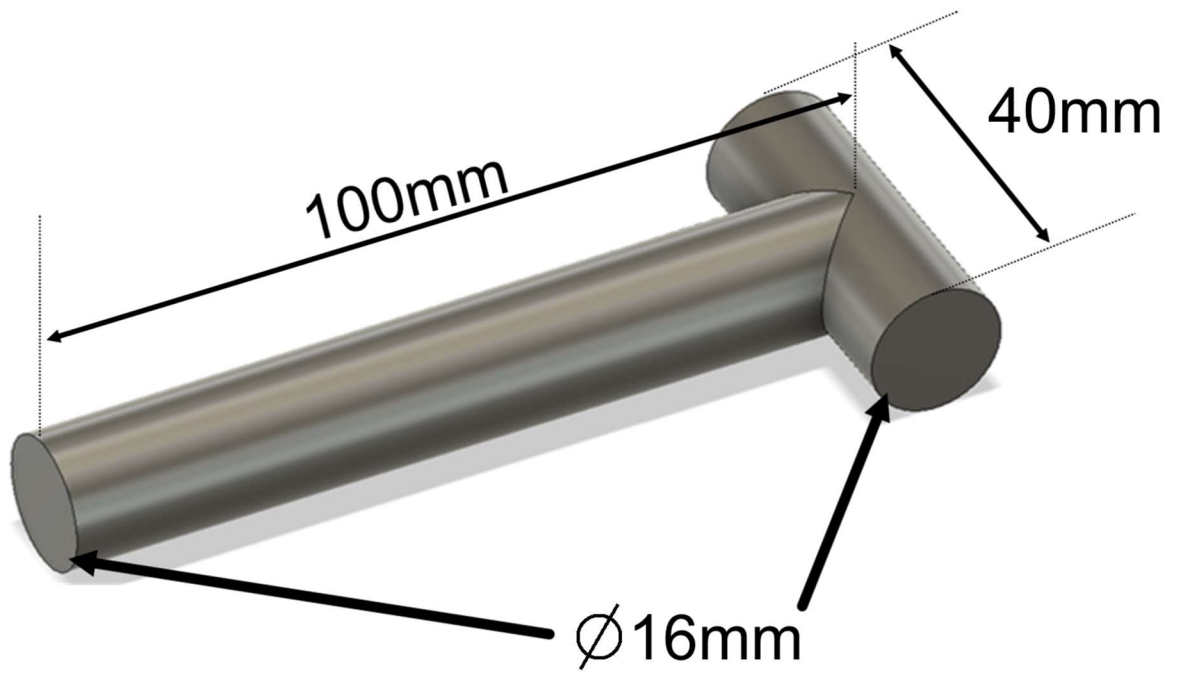




Part 2: Arm



Final Assembly!

Note, the assembly should allow the arm to swivel in the joint

